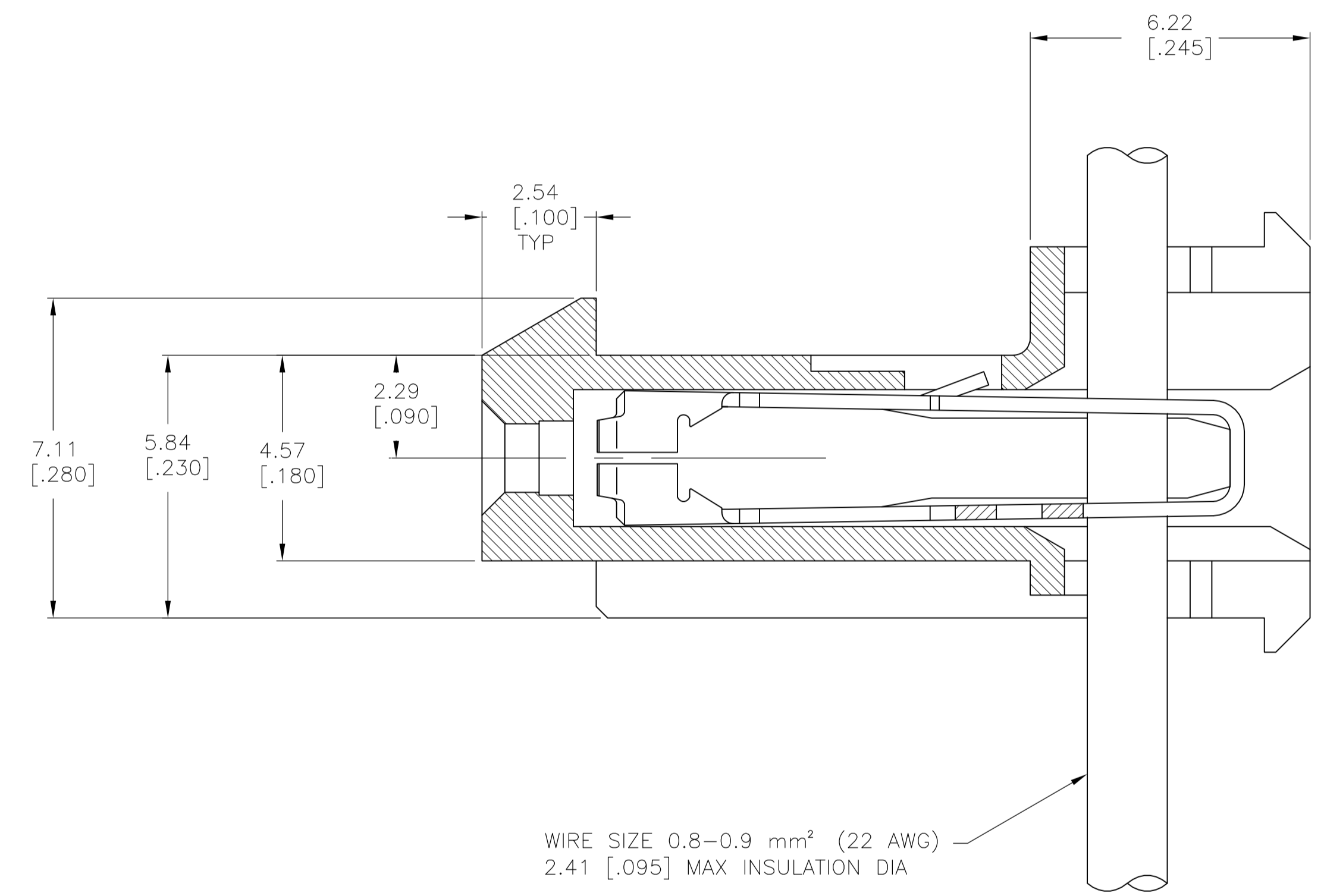
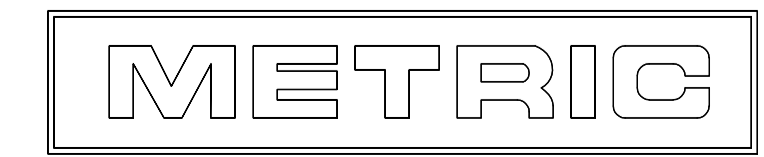


1. OPERATING TEMPERATURE: -55° C TO 105°C
2. MATERIAL: HOUSING, NYLON 6/6, UL 94V-0, BLACK  
CONTACT, 0.30 [.012] THICK COPPER ALLOY
3. FINISH: BRIGHT TIN-LEAD PLATE 0.00203-0.00508 [.000080-.000200] THICK  
OR MATTE WHISKER MITIGATED TIN 0.00203 [.000080] MIN THICKNESS OVER  
NICKEL UNDERPLATE.
4. LUBRICATED WITH AMP ANTI-FRETTING LUBRICANT.
5. IDENTIFICATION NUMBER FOR FIRST CIRCUIT.
6. WIRE GAUGE IDENTIFICATION
7. DIMENSIONS IN BRACKETS ARE IN INCHES.
8. CONTACT MUST ACCEPT 1.14±0.03 [.045±.001] SQUARE POST AND REMAINED LOCKED IN POSITION.



TIN	47.55±0.30	[1.872±.012]	12	4-644375-2
TIN	43.59±0.30	[1.716±.012]	11	4-644375-1
TIN	39.62±0.30	[1.560±.012]	10	4-644375-0
TIN	35.66±0.30	[1.404±.012]	9	3-644375-9
TIN	31.70±0.30	[1.248±.012]	8	3-644375-8
TIN	27.74±0.30	[1.092±.012]	7	3-644375-7
TIN	23.77±0.30	[.936±.012]	6	3-644375-6
TIN	19.81±0.30	[.780±.012]	5	3-644375-5
TIN	15.85±0.15	[.624±.006]	4	3-644375-4
TIN	11.89±0.15	[.468±.006]	3	3-644375-3
TIN	7.92±0.15	[.312±.006]	2	3-644375-2
FINISH	A		NO. OF CIRCUITS	PART NO.

TIN-LEAD	47.55±0.30	[1.872±.012]	12	1-644375-2
TIN-LEAD	43.59±0.30	[1.716±.012]	11	1-644375-1
TIN-LEAD	39.62±0.30	[1.560±.012]	10	1-644375-0
TIN-LEAD	35.66±0.30	[1.404±.012]	9	644375-9
TIN-LEAD	31.70±0.30	[1.248±.012]	8	644375-8
TIN-LEAD	27.74±0.30	[1.092±.012]	7	644375-7
TIN-LEAD	23.77±0.30	[.936±.012]	6	644375-6
TIN-LEAD	19.81±0.30	[.780±.012]	5	644375-5
TIN-LEAD	15.85±0.15	[.624±.006]	4	644375-4
TIN-LEAD	11.89±0.15	[.468±.006]	3	644375-3
TIN-LEAD	7.92±0.15	[.312±.006]	2	644375-2
FINISH	A		NO. OF CIRCUITS	PART NO.



THIS DRAWING IS A CONTROLLED DOCUMENT.

DIMENSIONS: mm [INCHES]	TOLERANCES UNLESS OTHERWISE SPECIFIED:	0. PLC ± -	1. PLC ± -	2. PLC ± -	3. PLC ± 0.13 [.005]	4. PLC ± -	ANGLES ± -
MATERIAL		FINISH		WEIGHT		SEE TABLE	

DWN: S. CARPENTER 19AUG2003  
 CHK: D. ROSSI 19AUG2003  
 APVD: D. ROSSI 19AUG2003  
 NAME: Tyco Electronics Corporation, Harrisburg, Pa 17105-3608  
 PRODUCT SPEC: MTA-156 CONNECTOR ASSEMBLY, QUAD, 18 AWG, FEED THRU, WITH LOCKING RAMP  
 APPLICATION SPEC: 108-1219  
 SIZE: 114-1048  
 SCALE: 10:1  
 SHEET: 1 OF 1  
 REV: F